

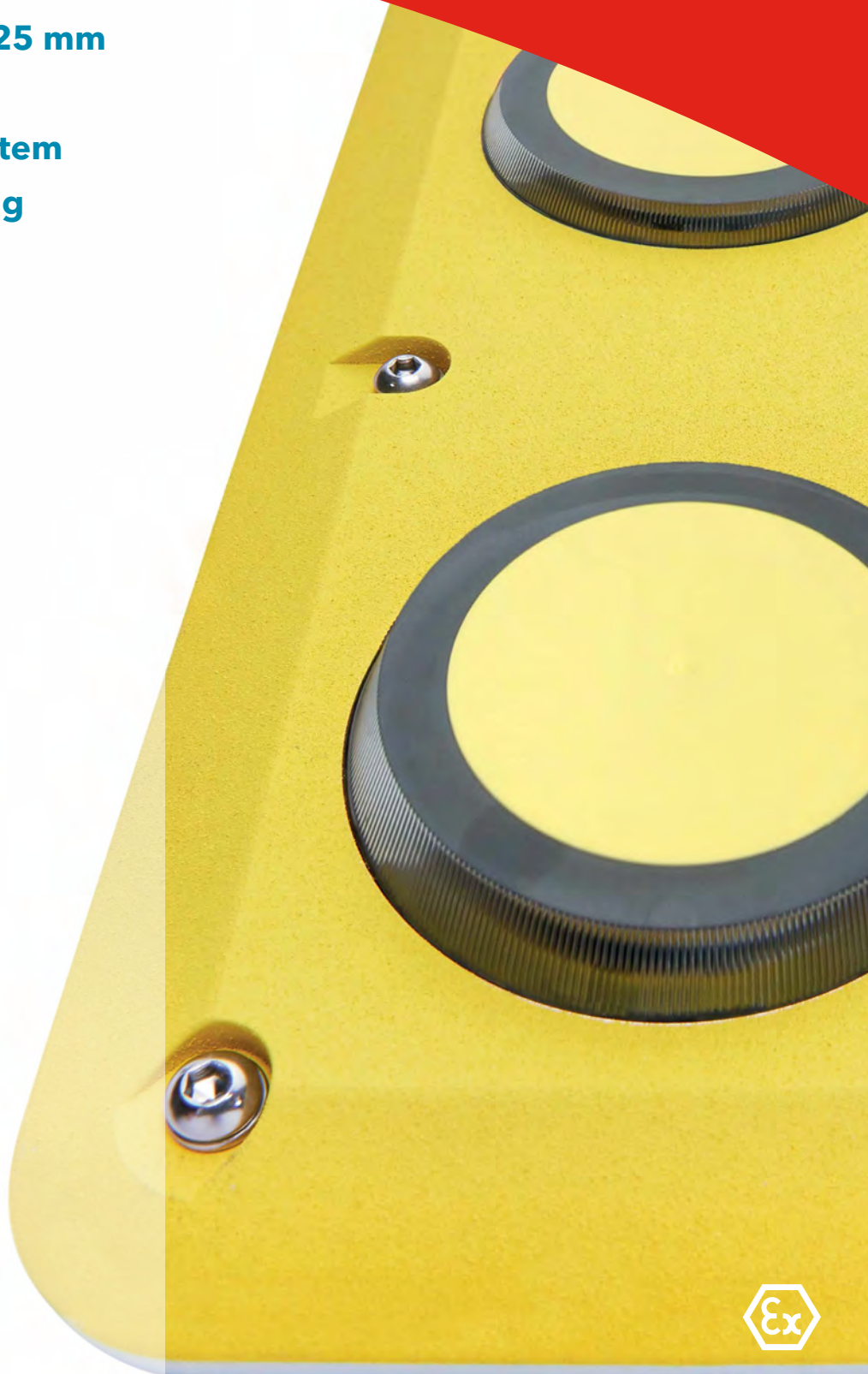
ILED Aquarius CIRCLE-H Mk 2 Helideck Lighting System



Low Profile - Less than 25 mm
Precision Machined
Interlock Mounting System
Special Anti-Slip Coating



a xylem brand



Upgrading Helicopter deck signalisation lighting with the IMT CIRCLE-H Lighting System.

Throughout the industry, it is now fully agreed and accepted that the old method of illuminating the TD/PM Circle and H with flood lights results in the common dangerous problem of creating the disorientating “black hole” effect and at the same time being a source of glare to the helicopter pilots. These concerns have been addressed by the CAA by the introduction of the requirement of lighting the Circle and H, marking a significant improvement in flight safety offshore.

Why CIRCLE-H?

Developed with close guidance from the CAA and certified to be in full accordance with the requirements of CAP 437, edition 8, IMT’s CIRCLE-H TD/PM Lighting System provides the optimum solution. Cleanly and clearly indicating the TD/PM Circle and H, the IMT CIRCLE-H stands out through its robust design, use of only the most durable materials, ease of installation and minimum of maintenance requirements.



Before

The unique interlocking mounting plate can withstand rough landings of even the heaviest helicopters, is versatile enough to suit specific requirements and offers a choice of fixing and installation methods to suit all deck types. The CIRCLE-H can be installed as a stand-alone system or as a fully integrated total helideck lighting and status light safety system solution.

The optimization of the mounting arrangements for the Mark II CIRCLE-H has led to a 60% reduction in the number of holes in the deck required (for bolt-down installations) without compromising on mechanical strength, which exceeds the requirements set forth by CAP437.



ILED Aquarius CIRCLE-H Helideck Lighting System



Greater Visibility

The specifications of the light output for the CIRCLE-H system in CAP437 were written to optimize the initial acquisition of the helideck, facilitate an easy approach and provide visual cues during the final approach and touchdown. The IMT CIRCLE-H system does not compromise on these requirements, as it has no junction boxes that interfere with the light pattern, meeting CAP437 requirements not only in the lab but also in the field.

Simple

CIRCLE-H is less than 25 mm high, even with the mounting plate. The mounting plate is very versatile, and can accommodate a great variety of decks and installation techniques. The light unit is easily connected by an Ex-certified, patented plug system.

Robust

IMT's CIRCLE-H system is manufactured from marine grade aluminium, which is by far and away the best material for marine applications and for temperature management control. The one-piece mounting plate is designed so that it can easily be adapted to suit all types of deck construction. The interlocking design easily absorbs the shear forces that can occur during rough landings.



Precision Machined



Low Profile



Less than 25 mm

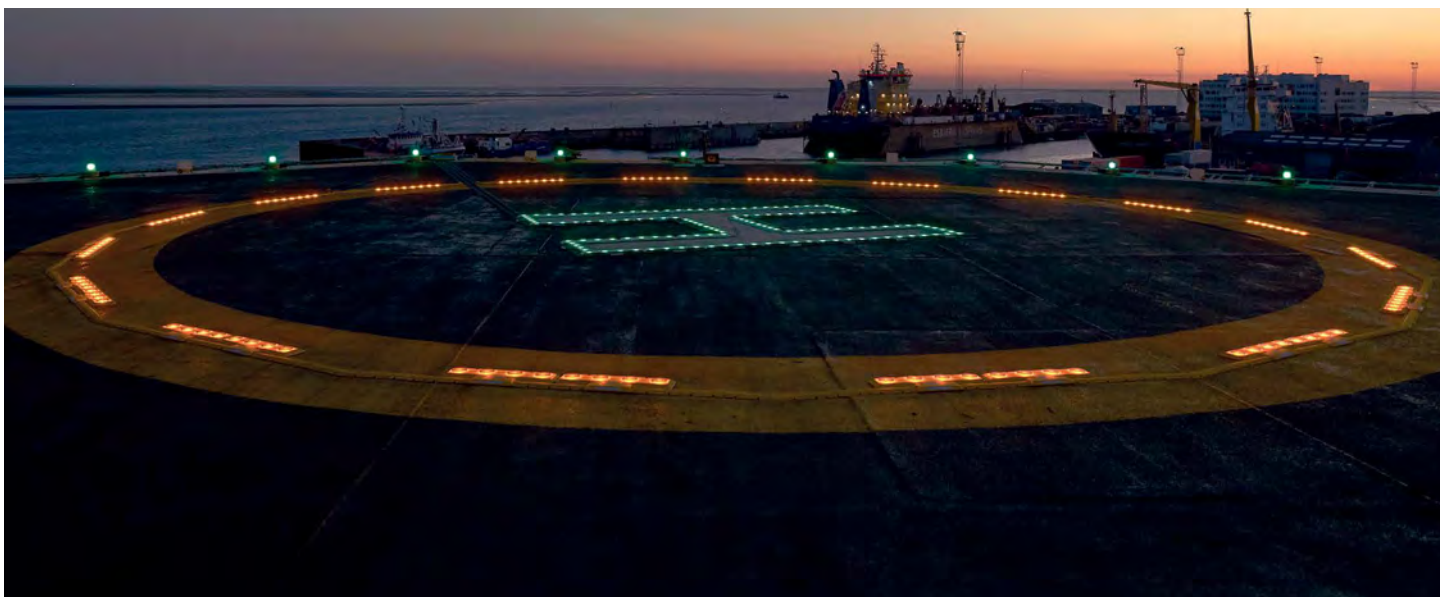
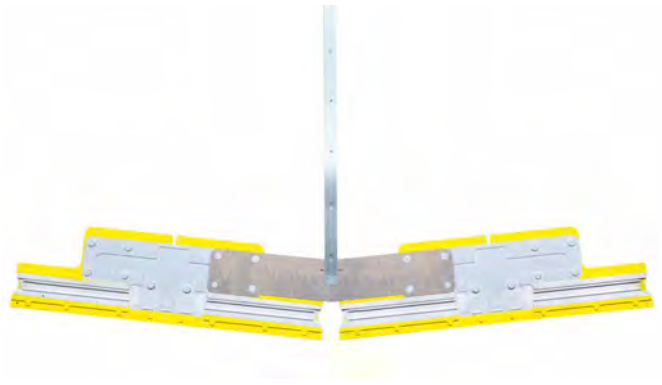


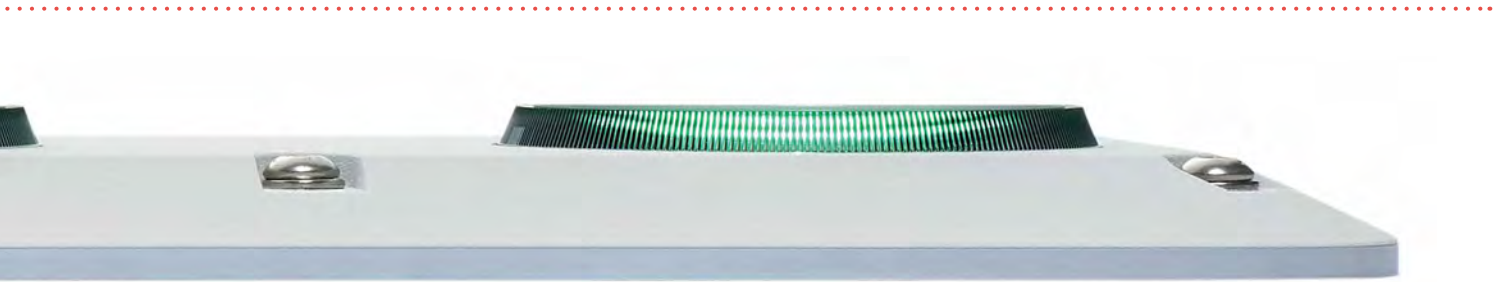


Installation

For installation of the second generation of CIRCLE-H 60% fewer bolt-downs are required. In addition, alignment tools are provided (included with each system) to ensure the mounting plates are properly and precisely placed before being fixed to the platform. In addition, IMT CIRCLE-H systems are provided as a kit which includes fixtures, cables, cable trays & covers, a control panel, installation consumables and a step-by-step installation manual.

However, IMT understands and fully appreciates that it is not merely about the CIRCLE-H system, but more importantly that it is installed correctly and proficiently. Therefore, IMT has teamed up with selected partners. Together with our partners we offer pre-installation surveys of helidecks as well as arrange for the logistics and manpower to carry out the installation of the system.

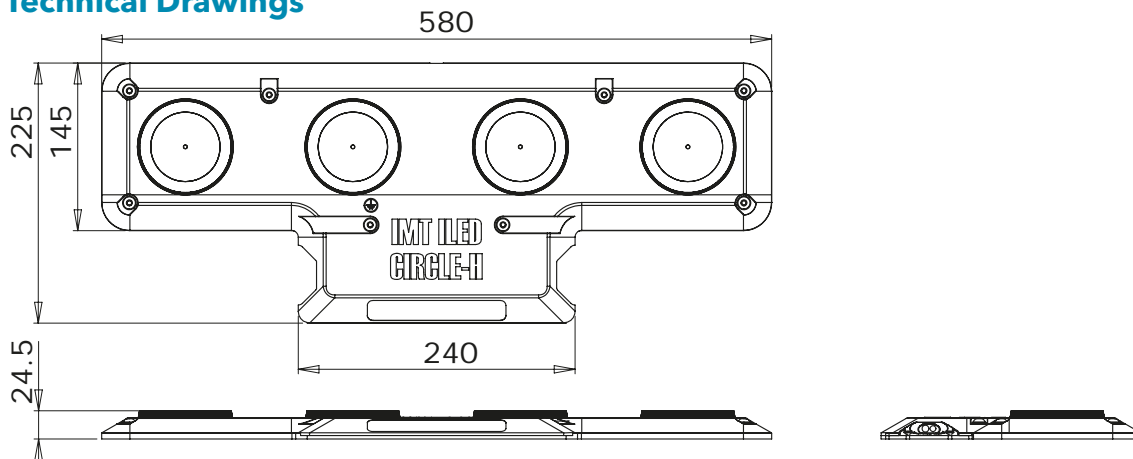





Unique Technical Points

- Fitted in place - including mounting plate - less than 25 mm
- DEKRA LIGHT CERTIFICATE
- Certified to IP66/67
- Ambient Temperature Range of -30°C to +55°C
- Machined Marine Grade Aluminium - no mixing of plastic and steel materials
- Unique 'interlock' design to withstand impact shear forces
- Light intensity adjustable - Full control by communication
- Can be fully integrated with Helideck Status Light Systems
- Only 4 parts, only variable parts are cable covers and cables
- Easy connection by plug system
- Different fixing methods - to suit all helideck types
- Easy to replace fixtures
- ATEX and IECEx Zone 1 certified
- Low power consumption
- Special anti-slip coating

Technical Drawings



-  **DEKRA** Certification
- Lloyds - Installations Design Approved
- High Life Expectancy with Low Maintenance
- Shock and Vibration Resistance
- According to CAP 437
- According to ICAO
- According to IMO MODU
- ABS Certified

Technical Details

Technical Details

Light Source	LED
Luminous Intensity	Standard and bright setting
Average Power for a Complete System	Approx. 175 W in bright setting (Depending on size D-value/system requirements)
Light Colour	Green and Amber
Horizontal Emission	According to CAP 437
Ambient Temperature	-30 °C to +55 °C
Burning Position	Base down
(Re)ignition	Immediate
Voltage Range System	24 Vdc \pm 10% and 90 – 255 Vac
Ingress Protection	IP66/67
IEC Protection Classes	Class 1
Lens	PC protected against UV light
Housing	Marine Grade Aluminium With a special anti-slip coating RAL 9003 Signal White or RAL BS 4800 – 10.E.53 Sun Flower Yellow
Weight of the Light Fitting	\pm 3 kg
Package Weight Per Piece	Dependent on system type and configuration
Package Dimensions	Dependant on system type and configuration
Connection	Special explosion proof plug system

Certificates

ATEX Classification	Group II, Category 2, Gas
Area Classification	Category 2 (Zone 1)
ATEX Certificate (DEKRA)	DEKRA 13ATEX0173
IECEX Certificate (DEKRA)	IECEX DEK 13.0059
Light Distribution Attestation (DEKRA)	2168390 AOC
Marking (ATEX)	Ex II 2 G Ex e mb IIB T4 Gb
Marking (IECEX)	Ex e mb IIB T4 Gb
CE	Yes

Source IEx
19998 Hickory Twig Way
Spring, TX 77388
sales@sourceiex.com
Tel: (281) 882-8300



www.sourceiex.com

www.tidelandsignal.com

IMT and Tideland are part of Xylem Analytics and a leading provider of aids to marine navigation. Xylem Analytics is part of Xylem Inc., a global company focused on solving the world's most challenging and fundamental water issues. As accurate analysis is crucial to the water industry, Xylem Analytics taps its diverse product brands for leadership in that field and beyond, providing the best laboratory and field monitoring instrumentation across a wide variety of industries.